

REVISIONS

REV.	DATE	ECN #	DESCRIPTION	BY	APP'D
1	2/4/2021	HJ21-016	REPLACED FAB SS- WITH CAST SS-	MAD	CJT
3	6/3/2021	HJ21-110	CHANGED RATING FROM 1.2KV TO 2.5KV	BLG	LO
4	8/20/2021	HJ20-224	GASKET GROOVE WAS 3/16"DP, Ø3.75"ID, Ø4.50"OD	MAD	CLS

NOTES:

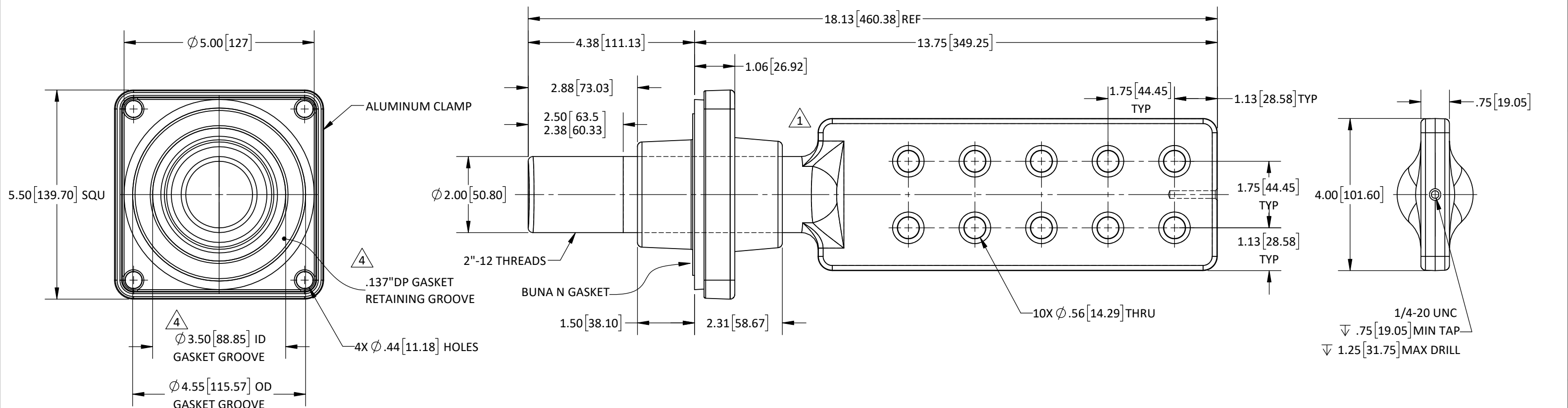
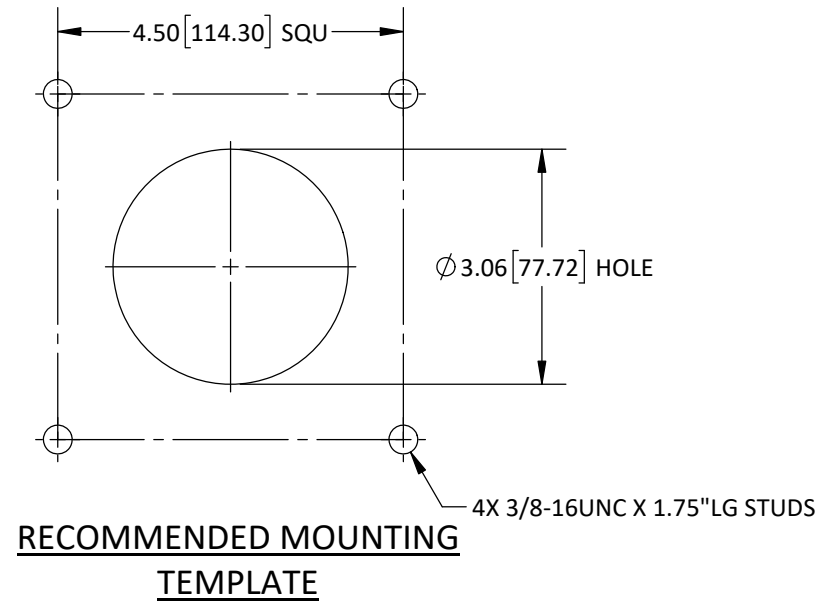
1. ALL UNSPECIFIED RADII TO BE R.125"
2. ALL CONTACT SURFACES TO BE CLEAN & FREE FROM FLASH.
3. RATINGS BASED ON SIDE MOUNTED BUSHINGS WITH OIL IMMERSERD SHANK AND SUITABLE TERMINATION AND LEAD CONNECTIONS.

MATERIAL:

1. E04 - INDOOR EPOXY SYSTEM, GREY
2. 6061-T6 ALUMINUM (CONDUCTOR), TIN PLATED
3. 356 CAST ALUMINUM (CLAMP)

SPECIFICATIONS:

1. BASIC IMPULSE LEVEL 45kV
2. CONTINUOUS CURRENT RATING 3500A
3. TEMPERATURE RANGE -40 °C TO 120 °C



H-J INTERNATIONAL, INC.
 3010 HIGH RIDGE BLVD, HIGH RIDGE, MO. 63049 USA
 PHONE 1-636-677-3421 FAX 1-636-376-1915

LV BUASY
 2.5kV / 3500A
 ALUMINUM CONDUCTOR

PROPRIETARY AND CONFIDENTIAL
 THE INFORMATION CONTAINED IN THIS DRAWING IS THE SOLE PROPERTY OF H-J INTERNATIONAL, INC. ANY REPRODUCTION IN PART OR AS A WHOLE WITHOUT THE WRITTEN PERMISSION OF H-J INTERNATIONAL, INC. IS STRICTLY PROHIBITED.

TOLERANCES (EXCEPT AS NOTED)
 TWO PLACE ±.060[1.52]
 THREE PLACE ±.030[0.76]
 FRACTIONS ± 1/16"
 ANGLES ±2°

APPROVED BY	---	DATE	--/--/----
CHECKED BY	CJT	DATE	12/27/2018
DRAWN BY	TJF	DATE	12/27/2018
TOOL NO.	10-512-0		
PRODUCT GRP.	1000 SERIES		

DRAWING NO.		10-512-033	
SCALE	1:3	SIZE	B
REV.	4	SHEET	1 OF 1

BREAK ALL SHARPS UNLESS OTHERWISE NOTED